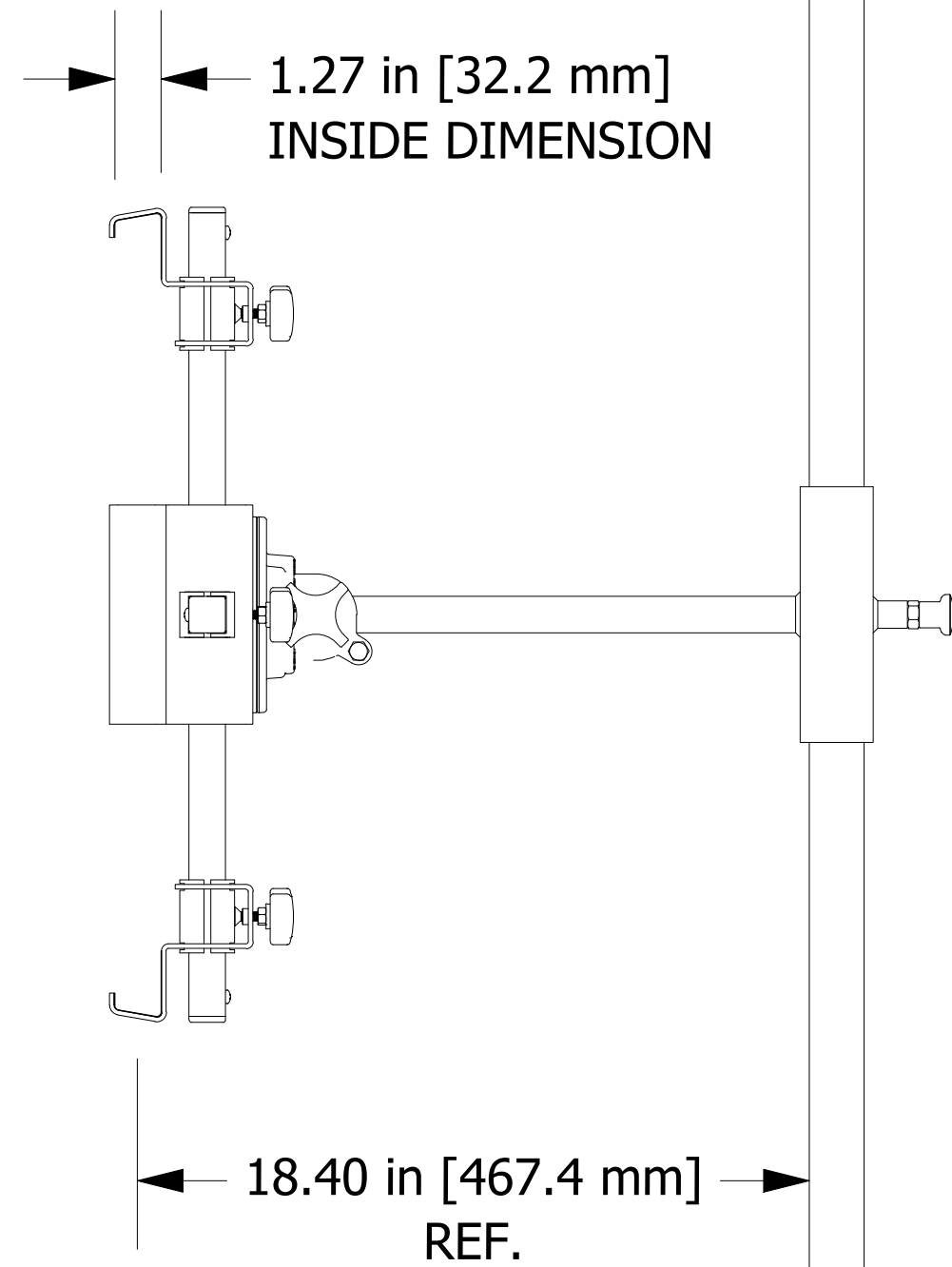
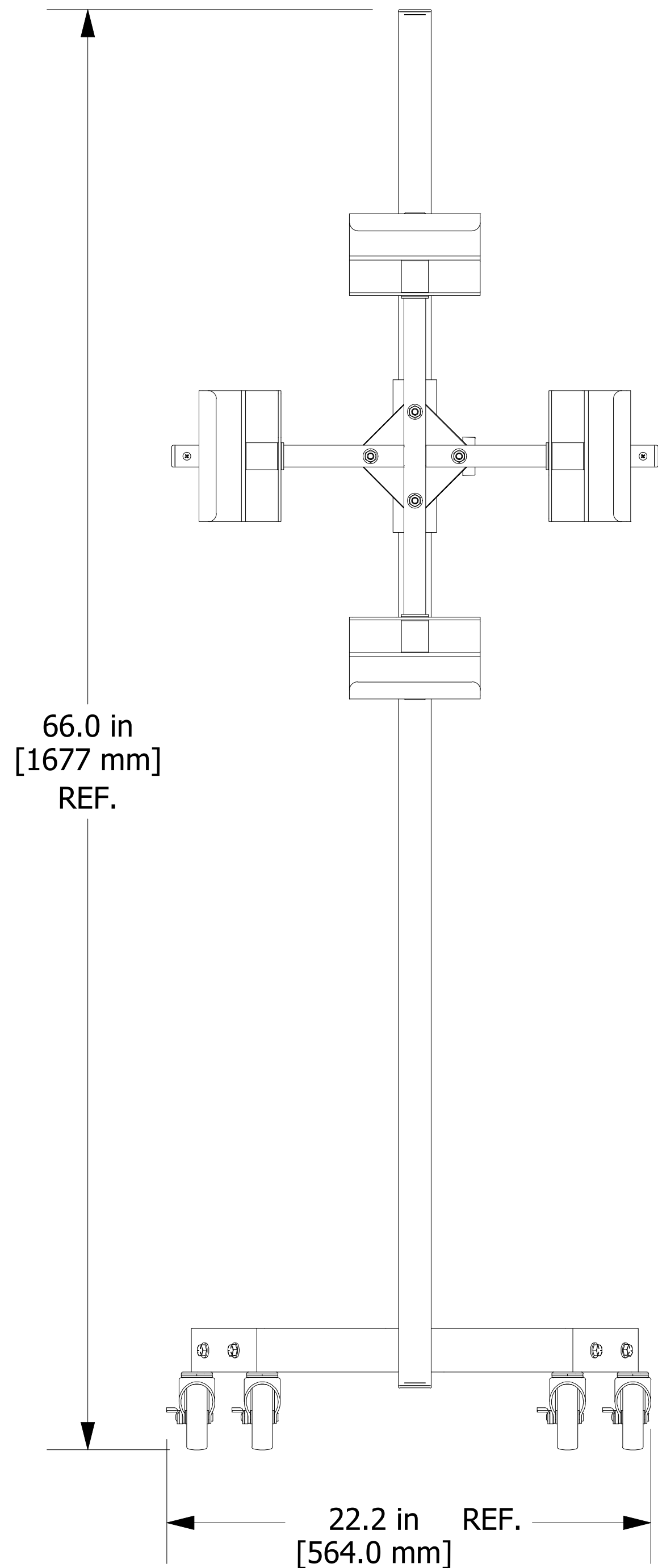
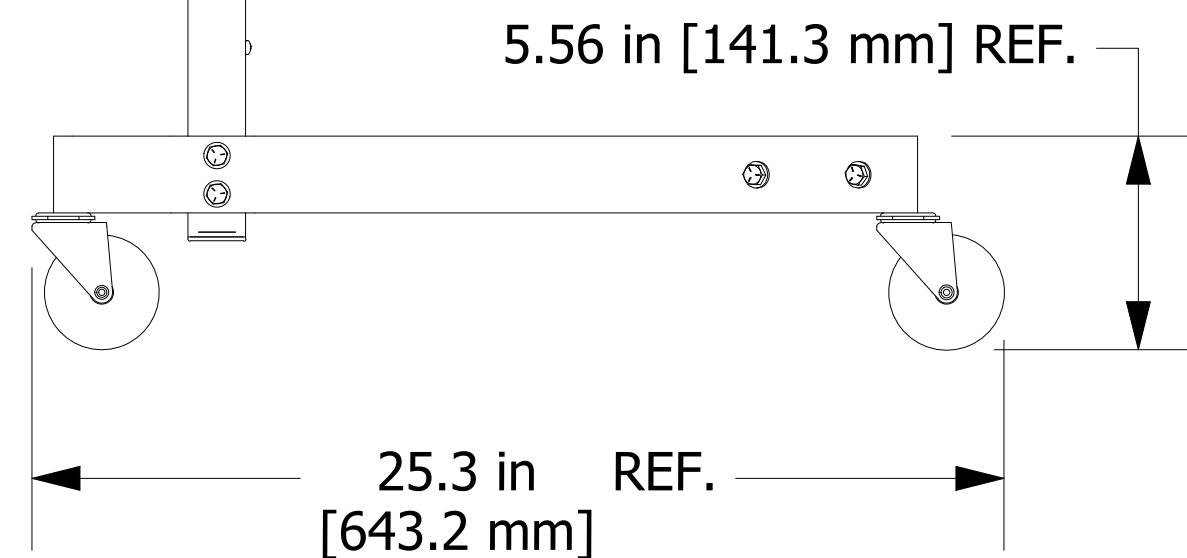


P/N: A.MPPCW
Weight: 83 lbs [38 kg]



EXAMPLE:
SECURELY HOLDS DETECTOR OR
DETECTOR IN ENCLOSURE



WITH "OPTIONAL"
COUNTERWEIGHT