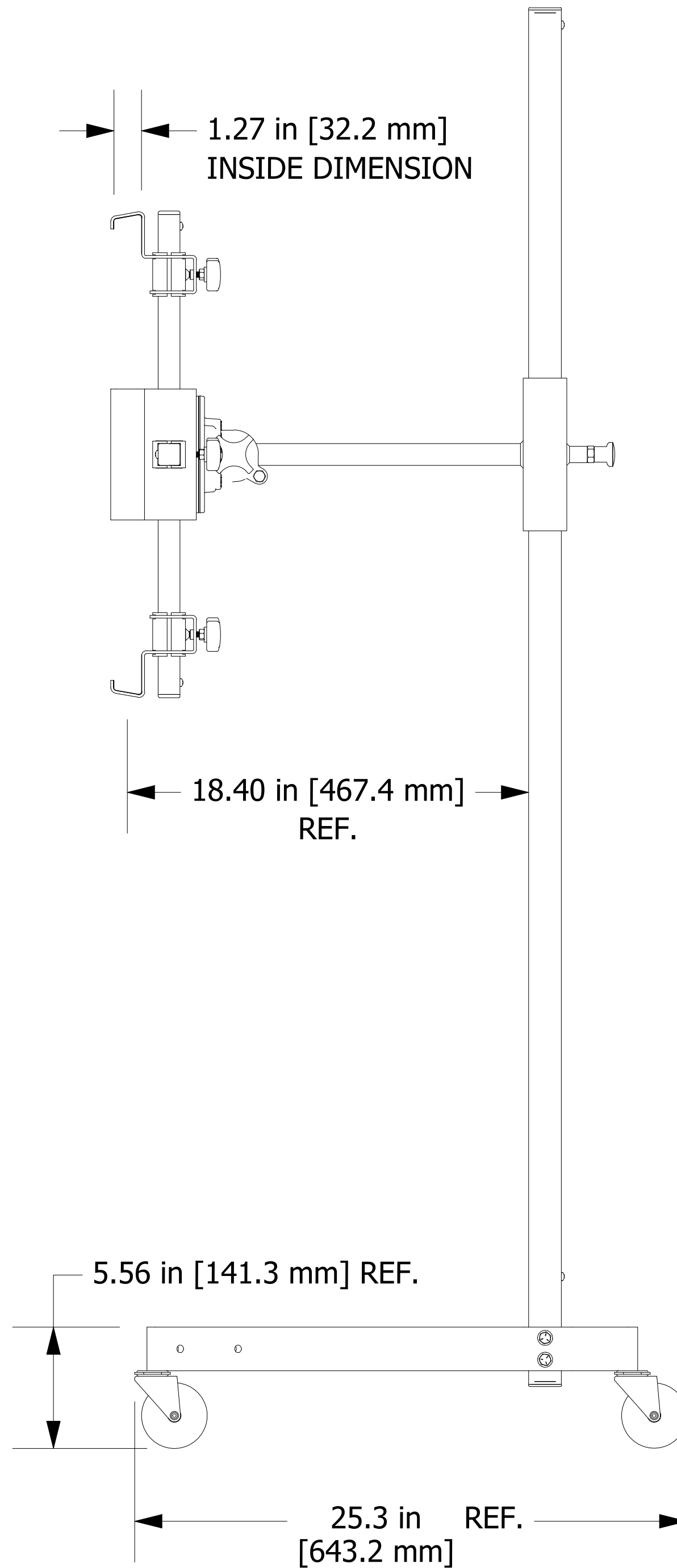
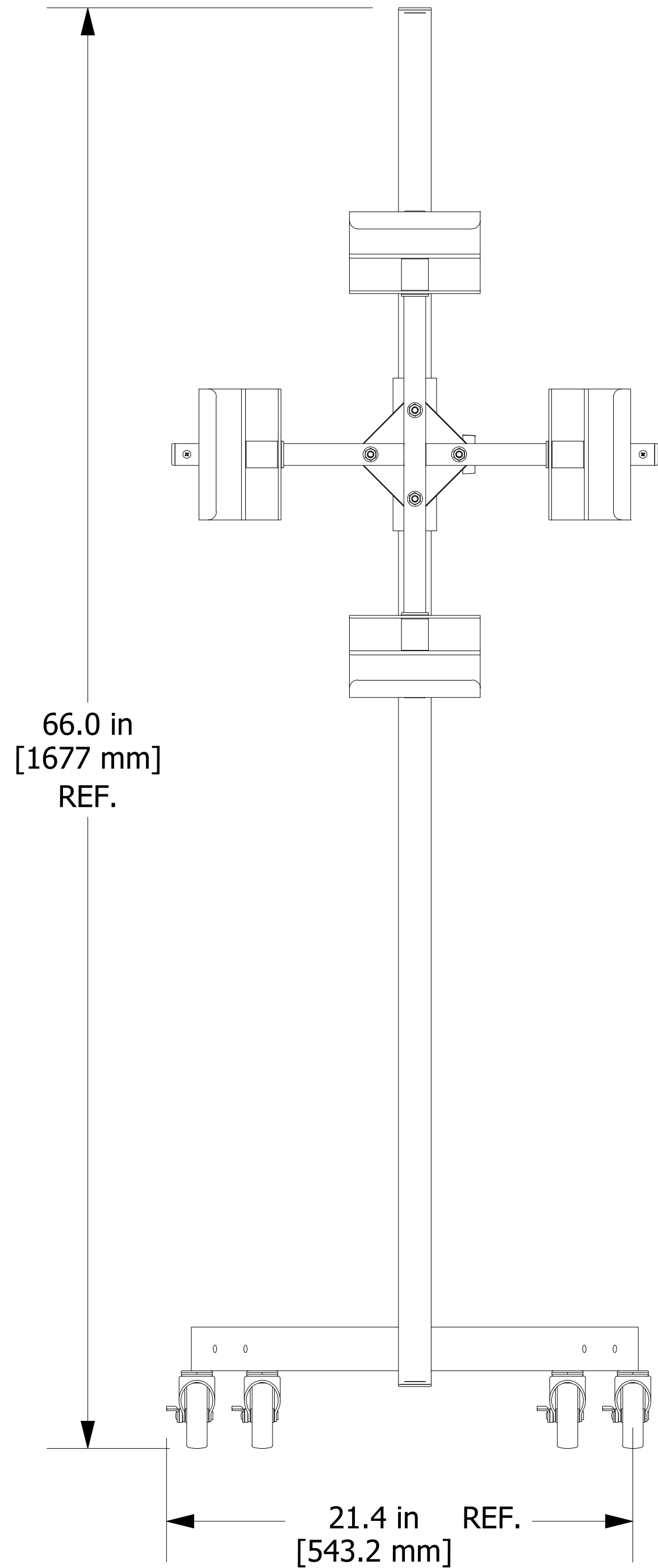


**P/N: A.MPP**

**Weight: 45 lbs [22 kg]**



**EXAMPLE:**  
SECURELY HOLDS DETECTOR OR  
DETECTOR IN ENCLOSURE

