

**Product Datasheet**

**Model:** DR.LNS21417SD & DR.LNS21417SDWD

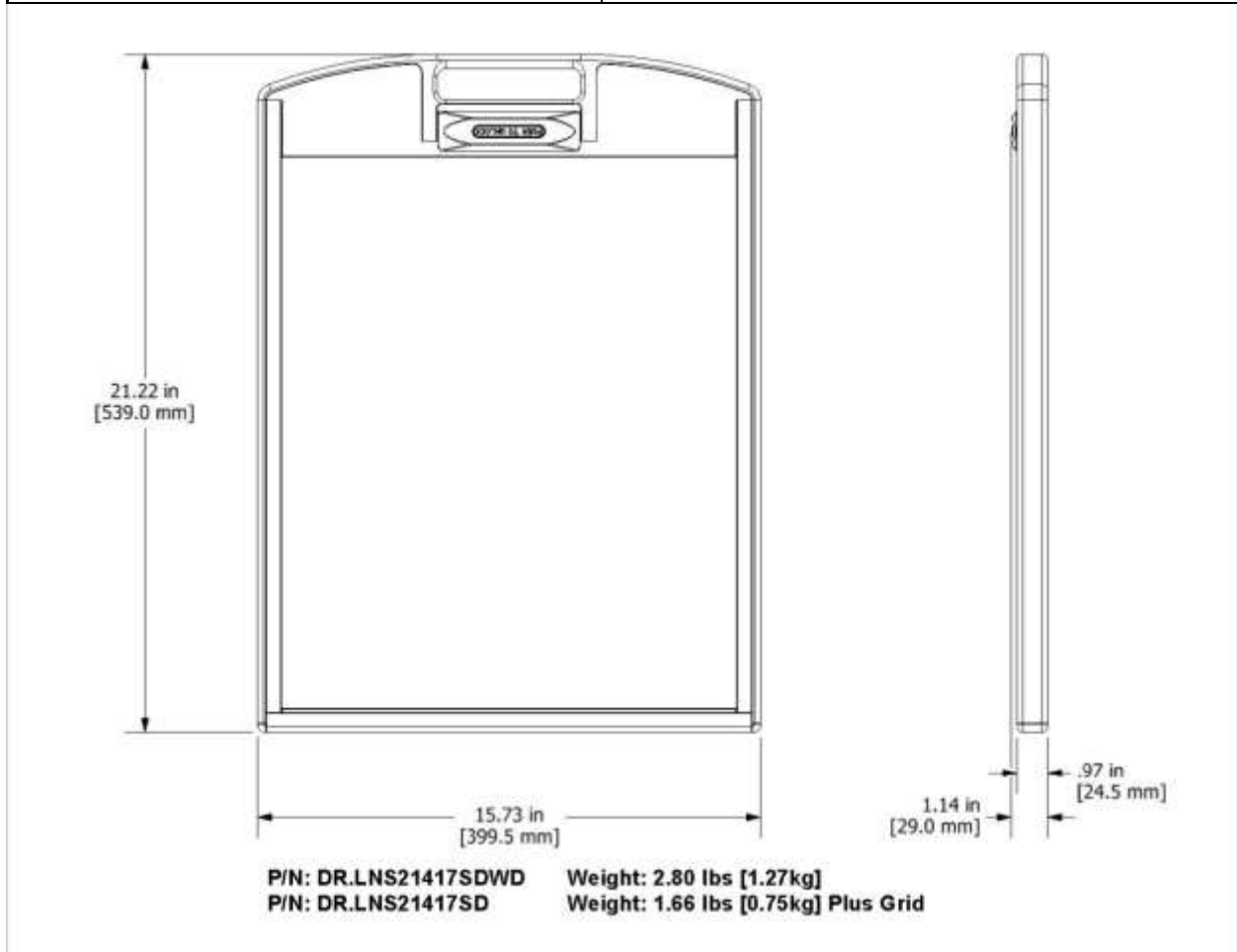
**Description:** Panel Protector

**Product Attributes:**

- Lightweight
- Available with a grid or carbon fiber panel
- Multiple handle orientations: Long, Short, and Dual
- Multiple layers of impact protection
- For cassette-sized wireless or tethered panels

**Technical Specifications**

Model	DR.LNS21417SD & DR.LNS21417SDWD
Weight	1.66 lbs. [0.75 kg] Plus Grid 2.80 lbs. [1.27 kg] Without Grid
Size	21.22" X 15.73" X .97" (539.0mm X 399.5mm X 24.5mm)
Box Dimensions	23" L X 20" W X 6" H (584.2mm X 508 mm X 152.4mm)
Shipping Weight	9 lbs. (4.08 kg)



**Statement of Conformance**

RC Imaging hereby states the data, specifications and descriptions contained herein this document are accurate and representative of the models described.

**Registration and Compliance**

The models listed above are made in the USA and registered to:

RC Imaging  
50 Old Hojack Lane  
Hilton, NY 14468

**Device Family Classification**

<b>COUNTRY</b>	<b>CLASS</b>
USA	FDA, Class 1, 510 (k) exempt
Canada	Class 1
Europe	Class 1
UK	Class 1