

**Product Datasheet**

**Model:** DR.LNS1012SD & DR.LNS1012SDWD

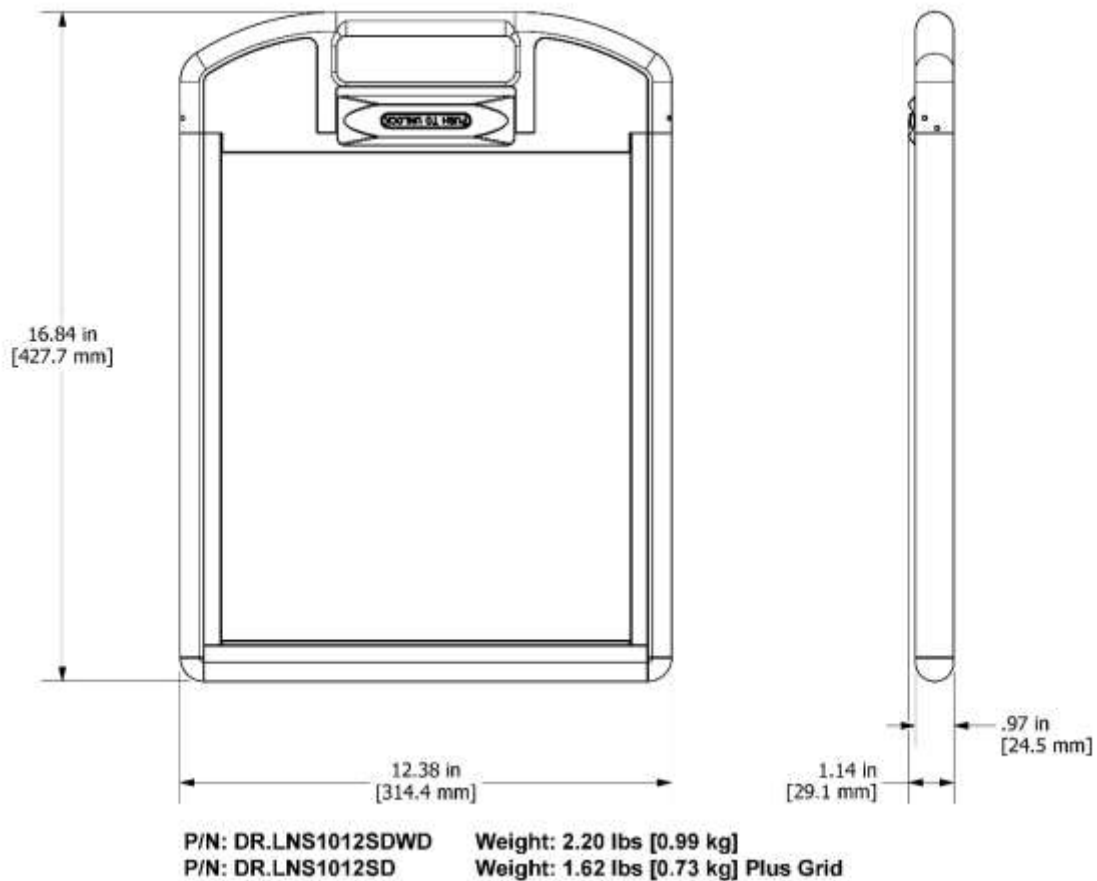
**Description:** Panel Protector

**Product Attributes:**

- Lightweight
- Available with a grid or carbon fiber panel for
- Multiple handle orientations: Long, Short, and Dual
- Multiple layers of impact protection
- For cassette-sized wireless or tethered panels

**Technical Specifications**

Model	DR.LNS1012SD & DR.LNS1012SDWD
Weight	1.62 lbs [0.73 kg] Plus Grid 2.20 lbs [0.99 kg] Without Grid
Size	16.84" X 12.38" X .97" (427.7mm X 314.4mm X 24.5mm)
Box Dimensions	20" X 17" X 6" (508mm X 431.8mm X 152.4mm)
Shipping Weight	6 lbs. (2.8 kg)



**Statement of Conformance**

RC Imaging hereby states the data, specifications and descriptions contained herein this document are accurate and representative of the model described.

**Registration and Compliance**

The models listed above are made in the USA and registered to:

RC Imaging  
50 Old Hojack Lane  
Hilton, NY 14468

**Device Family Classification**

<b>COUNTRY</b>	<b>CLASS</b>
USA	FDA, Class 1, 510 (k) exempt
Canada	Class 1
Europe	Class 1
UK	Class 1