

Product Datasheet

Model: DR.LNS21417SD & DR.LNS21417SDWD

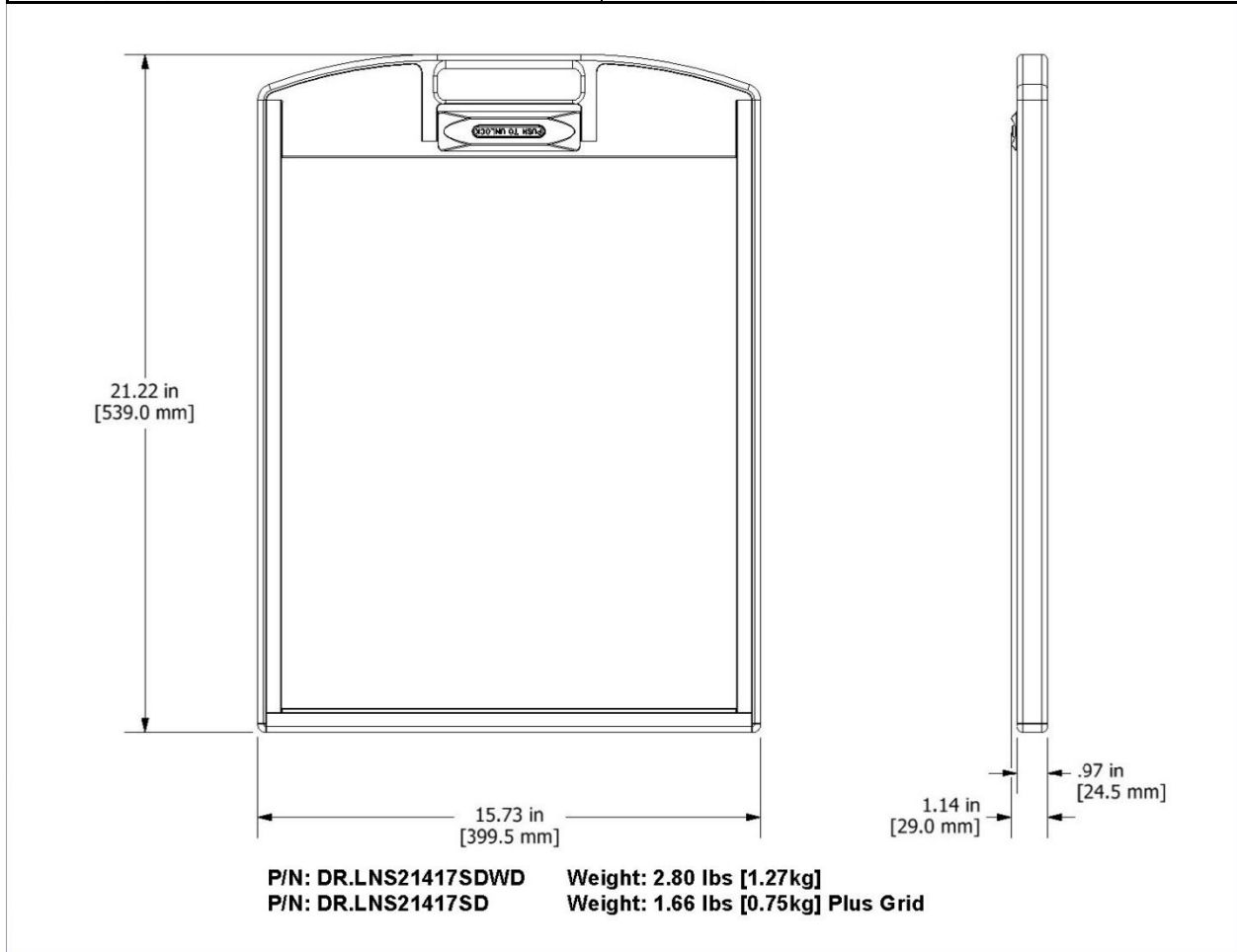
Description: Panel Protector

Product Attributes:

- Lightweight
- Available with a grid or carbon fiber panel
- Multiple handle orientations: Long, Short, and Dual
- Multiple layers of impact protection
- For cassette-sized wireless or tethered panels

Technical Specifications

Model	DR.LNS21417SD & DR.LNS21417SDWD
Weight	1.66 lbs. [0.75 kg] Plus Grid 2.80 lbs. [1.27 kg] Without Grid
Size	21.22" X 15.73" X .97" (539.0mm X 399.5mm X 24.5mm)
Box Dimensions	23" L X 20" W X 6" H (584.2mm X 508 mm X 152.4mm)
Shipping Weight	9 lbs. (4.08 kg)



Statement of Conformance

RC Imaging hereby states the data, specifications and descriptions contained herein this document are accurate and representative of the models described.

Registration and Compliance

The models listed above are made in the USA and registered to:

RC Imaging
50 Old Hojack Lane
Hilton, NY 14468

Device Family Classification

COUNTRY	CLASS
USA	FDA, Class 1, 510 (k) exempt
Canada	Class 1
Europe	Class 1
UK	Class 1